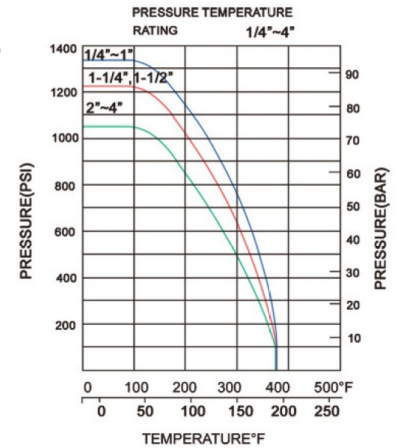
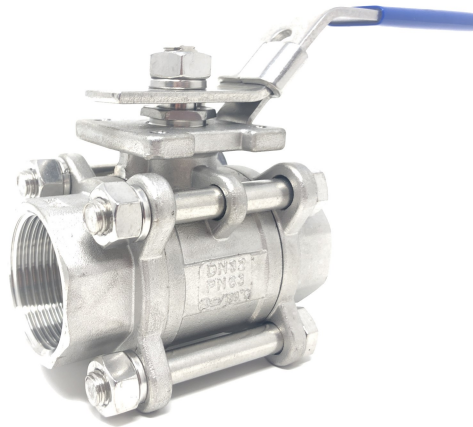
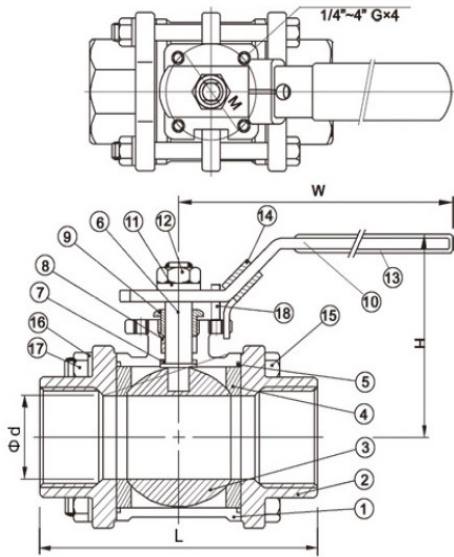




Berkeley Stainless Fittings Limited

3 Piece BSP Ball Valve



BSPP 3 PIECE BALL VALVE 316 - FULL BORE

	1/4"	3/8"	1/2"	3/4"	1"	1.25"	1.5"	2"	2.5"	3"	4"
Stock Code	2500610	2500615	2500620	2500625	2500630	2500635	2500640	2500645	2500650	2500655	2500660
D	12.8	12.8	15	20	25	32	38	50	65	80	100
L	59	59	64	75	85	97	110	132	167	187	230
H	51	51	55	59	73	78	91	99	128	142	174
W	95	95	95	110	135	135	147	165	250	215	310
'M' ISO 5211	36	36	36	36	42	50	50	70	70	70	102
'G' ISO 5211	M5	M5	M5	M5	M5	M6	M6	M8	M8	M8	M10
CV FACTOR	6.6	7.9	11.2	21	35	57	80	150	265	415	780
TORQUE (KGF-FM)	40	40	54	78	106	150	200	280	500	770	1100

ITEM	PARTS	MATERIALS	QUANTITY
1	BODY	CF8M	1
2	CAP	CF8M	2
3	BALL	CF8M	1
4	BALL SEAT	PTFE	2
5	JOINT GASKET	PTFE	2
6	STEM	316	1
7	THRUST WASHER	PTFE	1
8	STEM PACKING	PTFE	2
9	GLAND NUT	304	1
10	HANDLE	304	1
11	STEM WASHER	304	1
12	STEM NUT	304	1
13	PLASTIC COVER	PLASTIC	1
14	LOCK DEVICE	304	1
15	BOLT	304	4
16	SPRING WASHER	304	4
17	HEX NUT	304	4
18	STOP PIN	304	1

- PIPE THREAD IN ACCORDANCE WITH EN 10226-1, ISO 7-1
- INVESTMENT CASTING BODY & CAP.
- BLOW-OUT PROOF STEM / FULL PORT
- 1000PSI (69 BAR) W.O.G
- MOUNTING PAD FOR ISO 5211 (SCREWED END)
- COMPLETE WITH LOCKING DEVICE HANDLE

DIMENSIONS ARE A GUIDE ONLY AND MAY VARY - IF CRITICAL PLEASE CONTACT US.