



Berkeley Stainless Fittings Ltd.

. Bristol . Luton . Manchester . Oldbury . Swansea .

Butterfly Valves



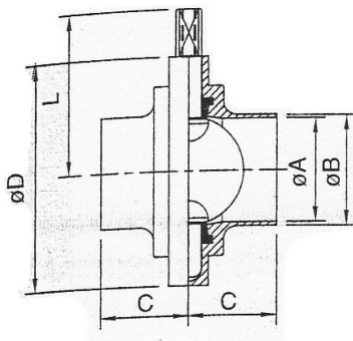
Torque for Full Open/Close

1.0"	< 1 m / kg
1.5"	< 1 m / kg
2.0"	1.3 m / kg
2.5"	1.5 m / kg
3.0"	2 m / kg
4.0"	3 m / kg

Width range of Butterfly Valves

- Body
 - 316L material out from precision CNC milling machined.
 - Body can be changeable.
 - Low Torque.
 - Weld end, RJT, IDF, SMS, DIN and Clamp Ends to suit
- Disk
 - Full machined, high polished. Ra less than 0.6 micro-meters
- Handle
 - Nylon 6+ Glass Fibre Reinforced
 - 304 gripper bar and 12-position notch plate
- Seals
 - Silicon as Standard
 - Optional EPDM

Weld End Butterfly Valves



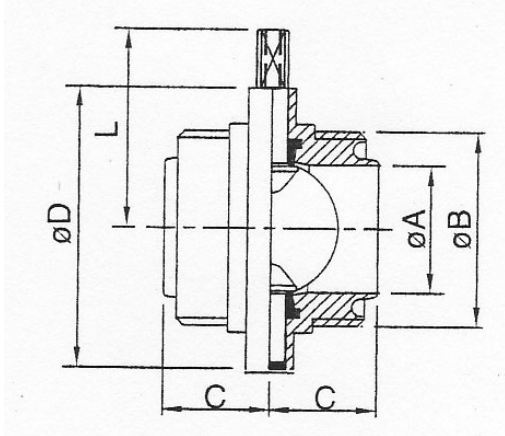
Size	A	B	Size	A	B	C	D	L
1.0"	22.1	25.4	DN25	22.5	25	34	79	61
1.5"	34.8	38.1	DN38	35.4	38	38	85	64.3
2.0"	47.5	50.8	DN51	48.0	51	40	105	74.3
2.5"	60.2	63.5	DN63	60.2	63.5	40	112	77.6
3.0"	72.2	76.2	DN76	72.1	76.1	41	125	84.8
4.0"	97.6	101.6	DN104	100	104	44	157	101.6



Berkeley Stainless Fittings Ltd.

. Bristol . Luton . Manchester . Oldbury . Swansea .

RJT Male / Male Butterfly Valves



Size	A	B	C	D	L
1.0"	22.1	45.72 x 8T WHIT	34	79	61
1.5"	34.9	58.42 x 8T WHIT	38	85	64.3
2.0"	47.6	72.72 x 6T WHIT	40	105	74.3
2.5"	60.3	85.42 x 6T WHIT	40	112	77.6
3.0"	73.0	98.12 x 6T WHIT	41	125	84.3
4.0"	97.6	123.52 x 6T WHIT	50	157	101.7