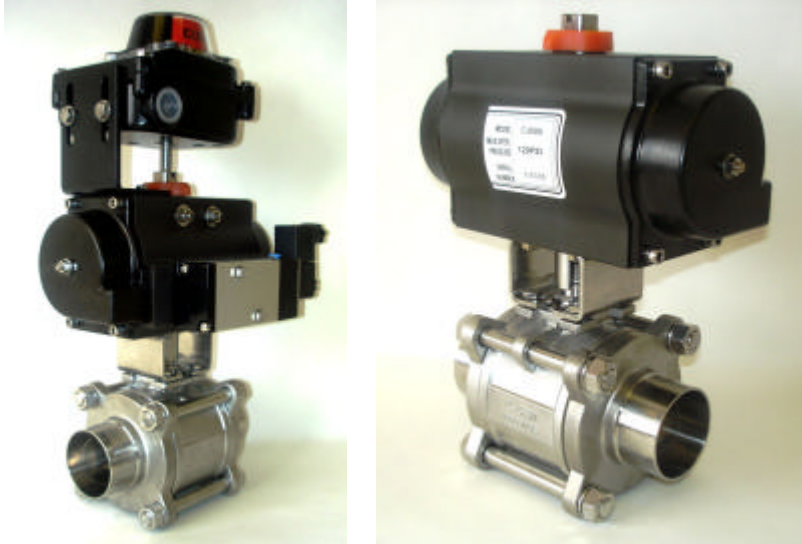




Berkeley Stainless Fittings Ltd.

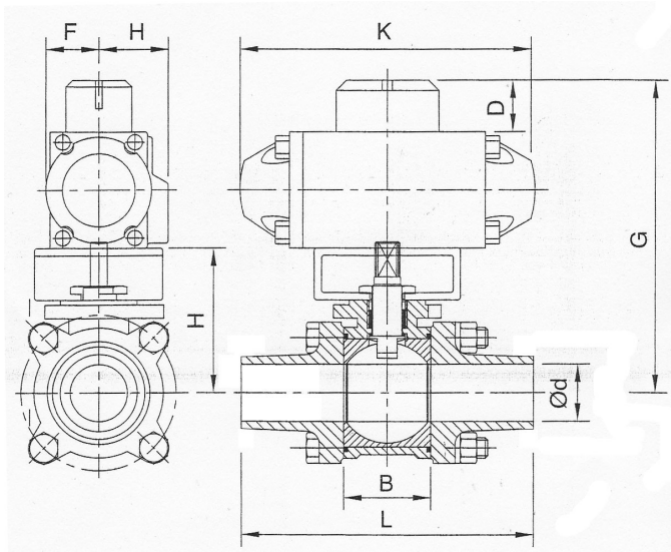
. Bristol . Luton . Manchester . Oldbury . Swansea .

Actuator for 2-way Ball Valve



- Extruded Aluminium Alloy Body
- Operating Pressure Range
 - 40-120 PSIG
- Operating Temperature
 - - 40°F to + 200°F
- Optional Switch box
 - c/w 2 micro-switches
- Optional Solenoid Valve
 - 24V DC / 5-Port

Low Plate Mount Design



VDA/VSР	DN	D	F	G	H	K
ATBODA	15	20	4	133.1	4.5	115
ATBODA	20	20	4	137.6	4.5	115
AT050DA	25	20	29	164.5	41.5	140.5
AT200DA	40	20	42.5	209	52	210.5
AT200DA	50	20	42.5	217	52	210.5
AT250DA	65	20	49.5	285.1	49.5	247.5
AT300DA	80	20	56	305.8	67	268.5
AT350DA	100	30	64	354.3	77	315

Ball Valve / SERIES 26

Size	DN	ISO-5211	B	L	H	Ød	Torque inch/lbs
½"	15	F03	23.5	89	68.1	9.5	42
¾"	20	F03	28	101	72.6	15.8	58
1"	25	F04	34	114	75.5	22.2	83
1 - 1 ½"	40	F05	53	140	87.0	35	150
2"	50	F05	64.5	156	95.0	47.6	298
2 - 2 ½"	65	F07	85	197	150.1	60.3	512
3"	80	F07	100	229	158.8	73	685
4"	100	F10	121.5	242.7	179.3	97.4	996