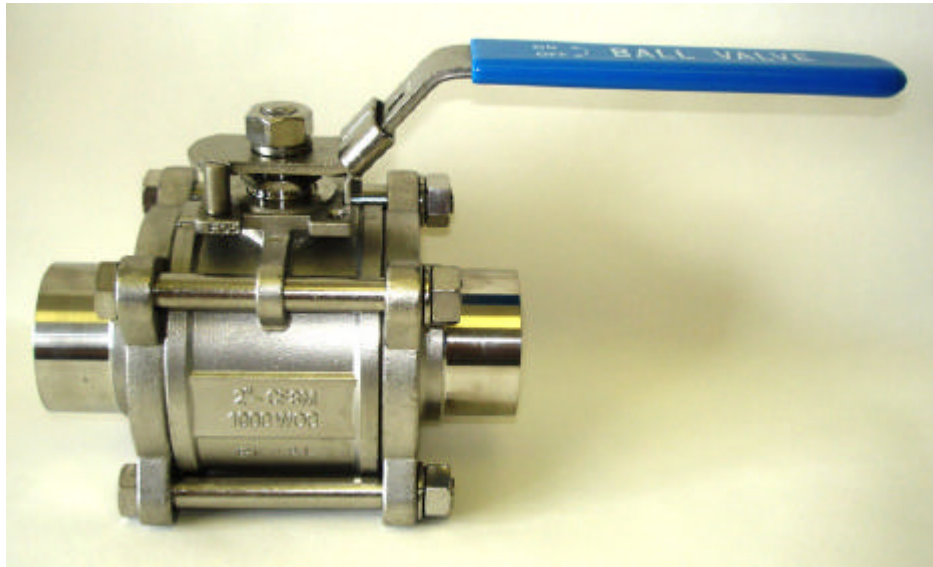




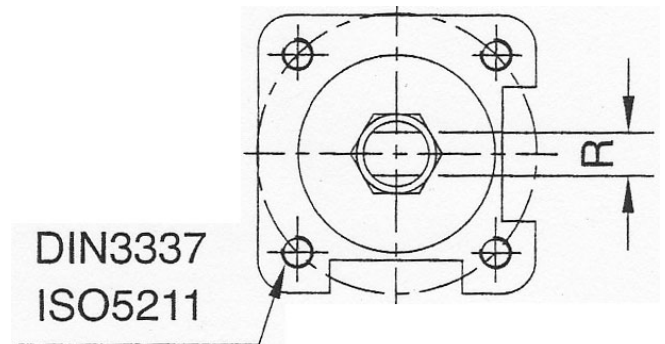
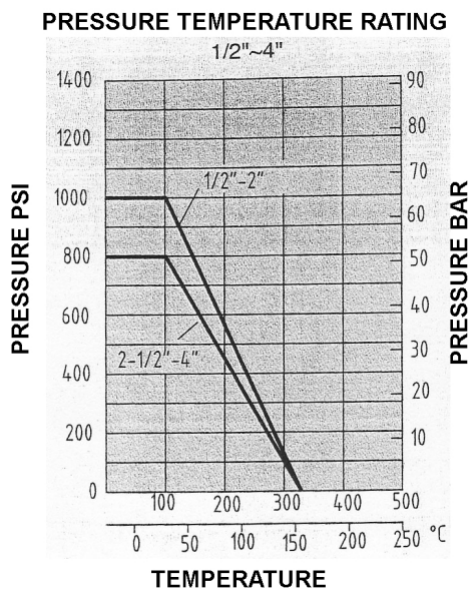
Berkeley Stainless Fittings Ltd.

. Bristol . Luton . Manchester . Oldbury . Swansea .

Sanitary Ball Valve for Food and Chemical use



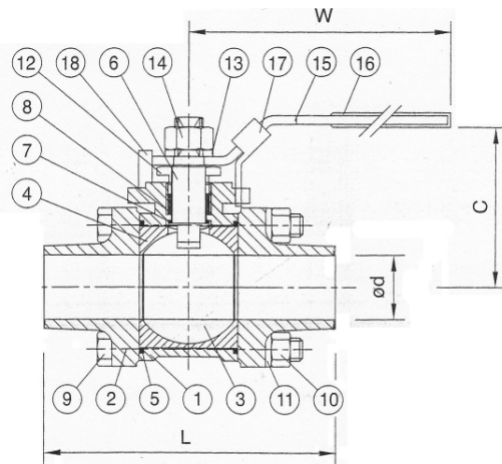
- Locking device as standard
- 100% air tested under water at 100psi, open and closed positions.
- Hydrostatic test pressure 1/4"~ 2" 1,500psi : 2 1/2" ~ 4" 1,200psi
 - Standard End:
 - Weld & Clamp End
 - RJT, IDF, SMS and DIN





Berkeley Stainless Fittings Ltd.

. Bristol . Luton . Manchester . Oldbury . Swansea .



Specifications

Size	DN	ISO-5211	C	L	W	ød	R	L1
½"	15	F03	60	89	132	9.5	5	32.75
¾"	20	F03	64.5	101	131.5	15.8	5	36.5
1"	25	F04	69.2	114	165	22.2	6.5	40
1 - 1 ½"	40	F05	89.26	140	194.3	35	8.5	43.5
2"	50	F05	97.26	156	194.3	47.6	8.5	45.75
2 - 2 ½"	65	F07	126.8	197	252	60.3	12	56
3"	80	F07	135.3	229	252	73	12	64.5
4"	100	F10	158.8	242.7	332	97.4	16	60.6

Parts List

No.	Part Name	Material
1	Body	ASTM-A351-CFM8
2	Cap	ASTM-A351-CFM8
3	Ball	A351-CFM8
4	Seat	PTFE
5	Gasket	PTFE
6	Stem	ANSI-316
7	Thrust Washer	PTFE
8	Stem Packing	PTFE
9	Bolt	ANSI-304
10	Hex Nut	ANSI-304
11	Bolt Washer	ANSI-304
12	Gland	ANSI-304
13	Washer	ANSI-304
14	Nut	ANSI-304
15	Handle	ANSI-304
16	Plastic Cover	Plastic
17	Lock Device	ANSI-304
18	Stop Pin	ANSI-304